

diaphragm pressure gauge for absolute pressures DS 4", 6" (100-150mm)



PED 2014/68/EU

The measuring element consists of a diaphragm with concentric corrugations, which separates an upper empty housing — referred to as the reference chamber — from a lower chamber that receives the pressurized fluid. The upper housing is isolated from atmospheric pressure by bellows, which transmit the diaphragm's deflection, caused by the fluid pressure, to the pointer through a joint and leverage system. To provide correct support to the diaphragm and to strengthen the instrument against overpressure, the upper part of the reference chamber is also corrugated.

The instrument's case is exposed to atmospheric pressure, allowing optional accessories to be installed either inside or outside the case to protect the instrument.

2.43.1 - Standard Model

Ranges: from 0...60 to 0...1600 mbar Abs, or equivalent units.

Accuracy: 1,6 as per EN 837-3, at 68 °F (20°C) or a value of specify temperature in order.

Ambient temperature: -13...+149 °F (-25...+65 °C).

Process fluid temperature: +212 °F (+100 °C).

Working pressure: max 75% of the FSV.

Overpressure: max 3,5 bar abs for ranges ≤400 m bar abs; max 6 bar abs for ranges 0,6...1,6 bar abs.

Thermal drift: ± 0,6% every ± 50°F (± 10° C) of ambient temperature

Protection: IP 55 as per IEC 529.

Process connection: AISI 316L st.st.

Elastic element: AISI 316L st.st. diaphragm.

Seal bellows: AISI 321 st.st.

Case: AISI 304 st.st.

Ring: AISI 304 st.st. bayonet lock.

Window: glass, 4 mm thick.

Movement: stainless steel with sector stiffened.

Dial: aluminium, white with black markings.

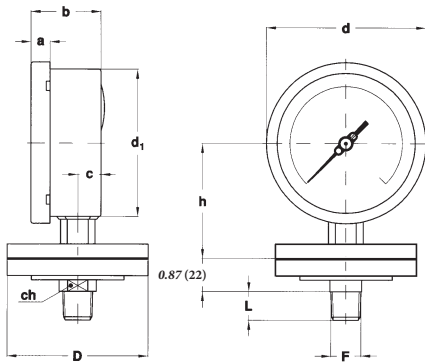
Pointer: adjustable, aluminium, black.

RANGE
mbar abs
0...60
0...100
0...160
0...250
0...400
0...600
0...1000
0...1600

diaphragm pressure gauge
for absolute pressures - DS 4", 6" (100-150mm)

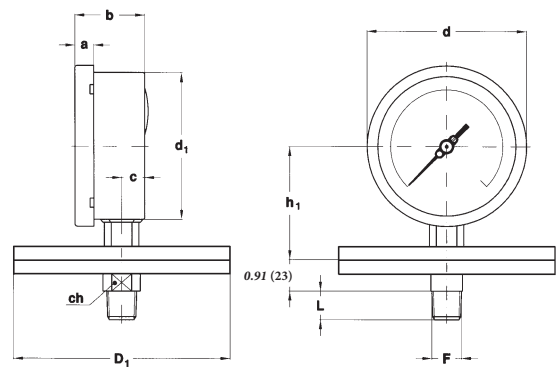
MN12/18 ABS

PC6 - 05/14



0,25..1,6 bar Abs

A - LOWER CONNECTION



60...160 mbar Abs

RANGE	DS													Weight
60...400 mbar Abs	4" (100mm)	0.51 (13)	1.91 (48,5)	0.63 (16,1)	4.35 (110,6)	3.98 (101)	-	3.09 (78,5)	-	5.91 (150)	0.87 (22)	0.79 (20)	5.73 lbs 2,6 kg	
	6" (150mm)	0.59 (15)	1.99 (50,5)	0.65 (16,5)	6.34 (161)	5.89 (149,6)	-	4.36 (110,8)	-	5.91 (150)	0.87 (22)	0.79 (20)	6.50 lbs 2,95 kg	
0,6 ...1,6 bar Abs	4" (100mm)	0.51 (13)	1.91 (48,5)	0.63 (16,1)	4.35 (110,6)	3.98 (101)	3.13 (79,5)	-	3.86 (98)	-	0.87 (22)	0.79 (20)	3.85 lbs 1,75 kg	
	6" (150mm)	0.59 (15)	1.99 (50,5)	0.65 (16,5)	6.34 (161)	5.89 (149,6)	4.40 (111,8)	-	3.86 (98)	-	0.87 (22)	0.79 (20)	4.62 lbs 2,1 kg	

dimensions : inches (mm)

OPTIONS

Electric contacts (1)
E65 - Protection IP 65
T01 - Tropicalization
T32 - Safety glass

(1) Code and description see data sheet MN14/M

"HOW TO ORDER" SEQUENCE

Section / Model /Case / Mounting / Diameter / Range / Process connection / Options
2 43 1 A E 41M E65...T32
G 43M



IN ORDER TO IMPROVE THEIR PRODUCTION, MESSIS, NUOVA FIMA RESERVE THE RIGHT TO THEMSELVES TO MAKE ALL THE MODIFICATIONS THAT THEY DEEM INDISPENSABLE AT ANY TIME. UPDATED DATA-SHEETS ARE AVAILABLE ON SITE. www.nuovafima.com